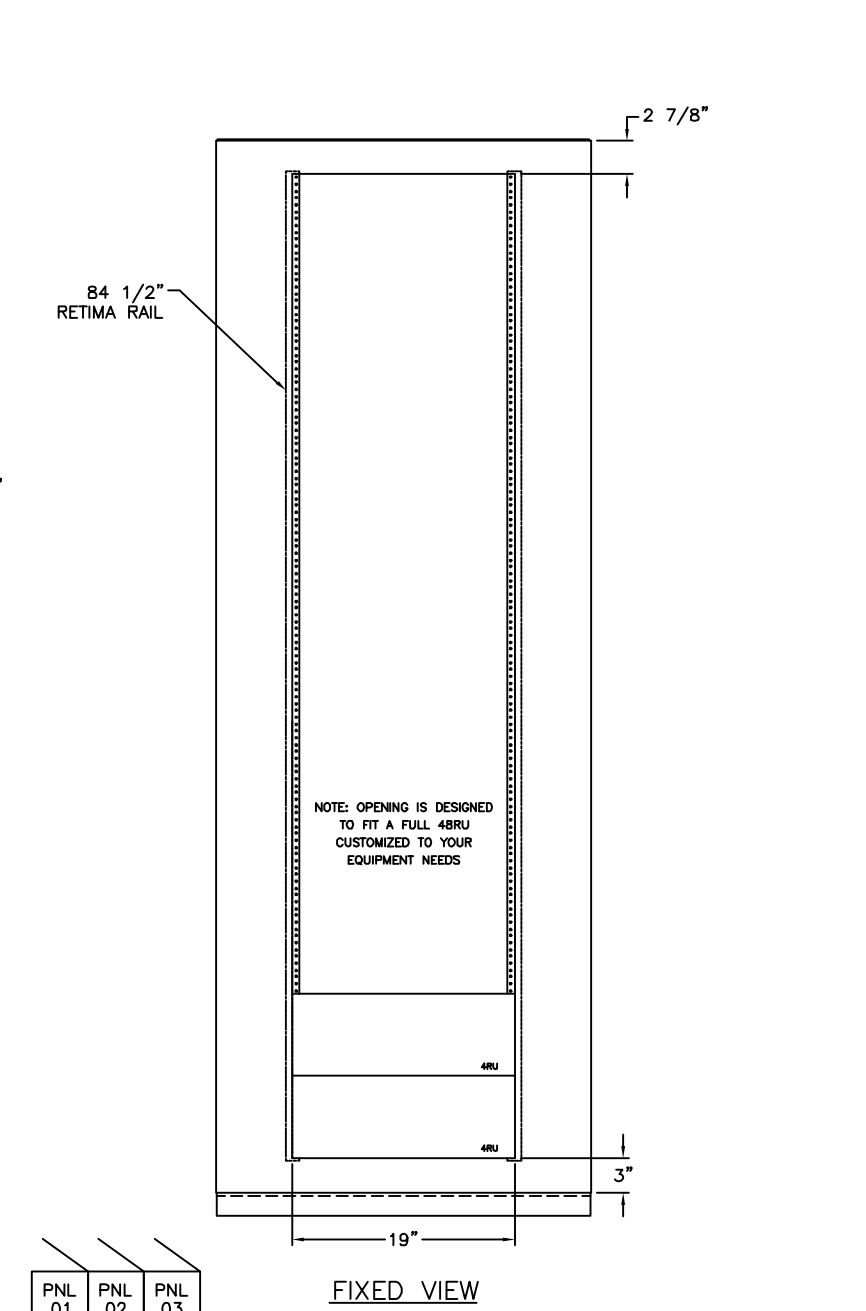
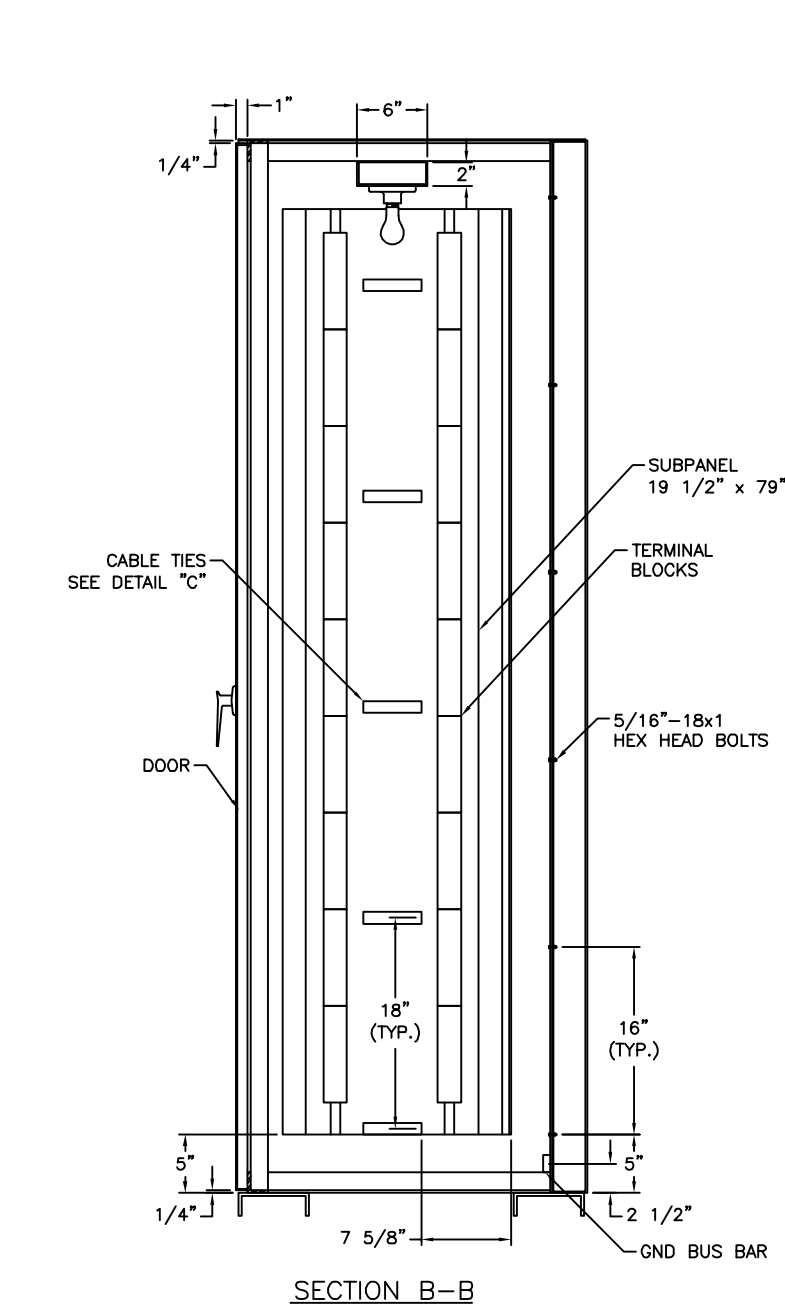
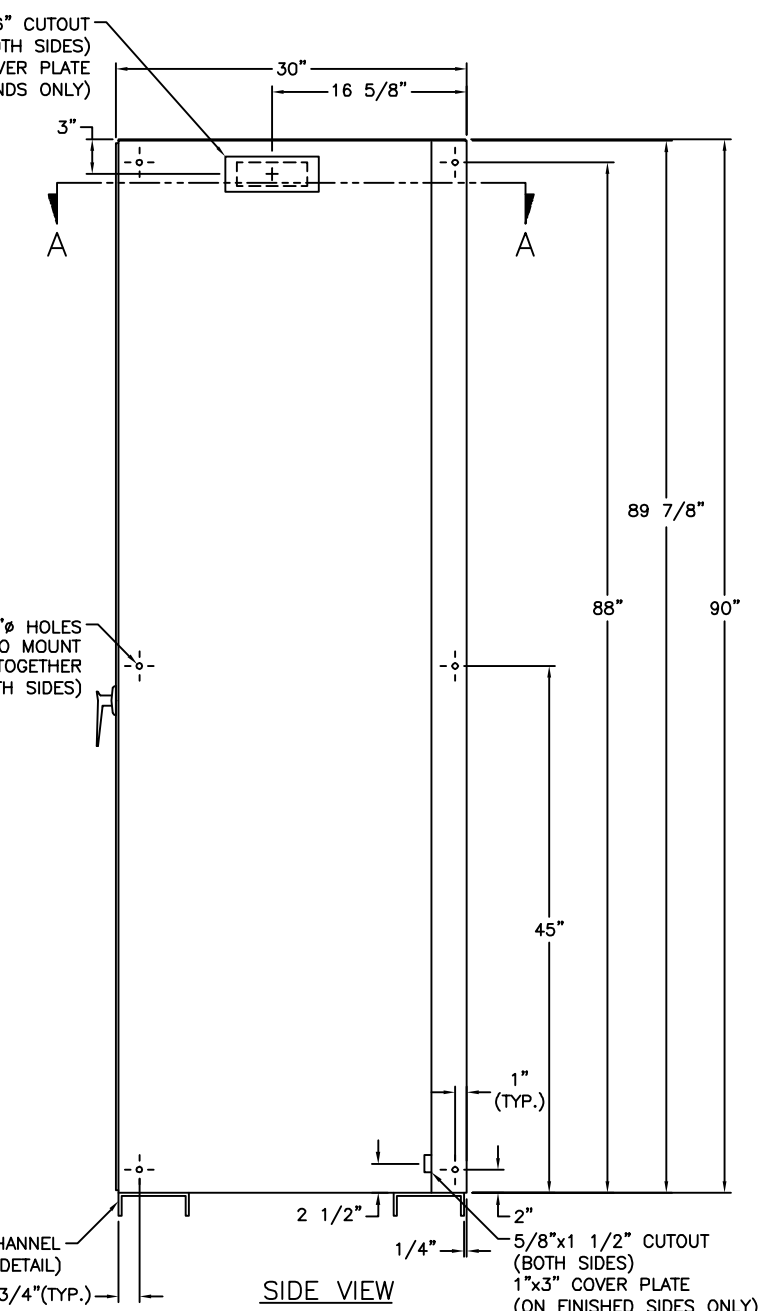
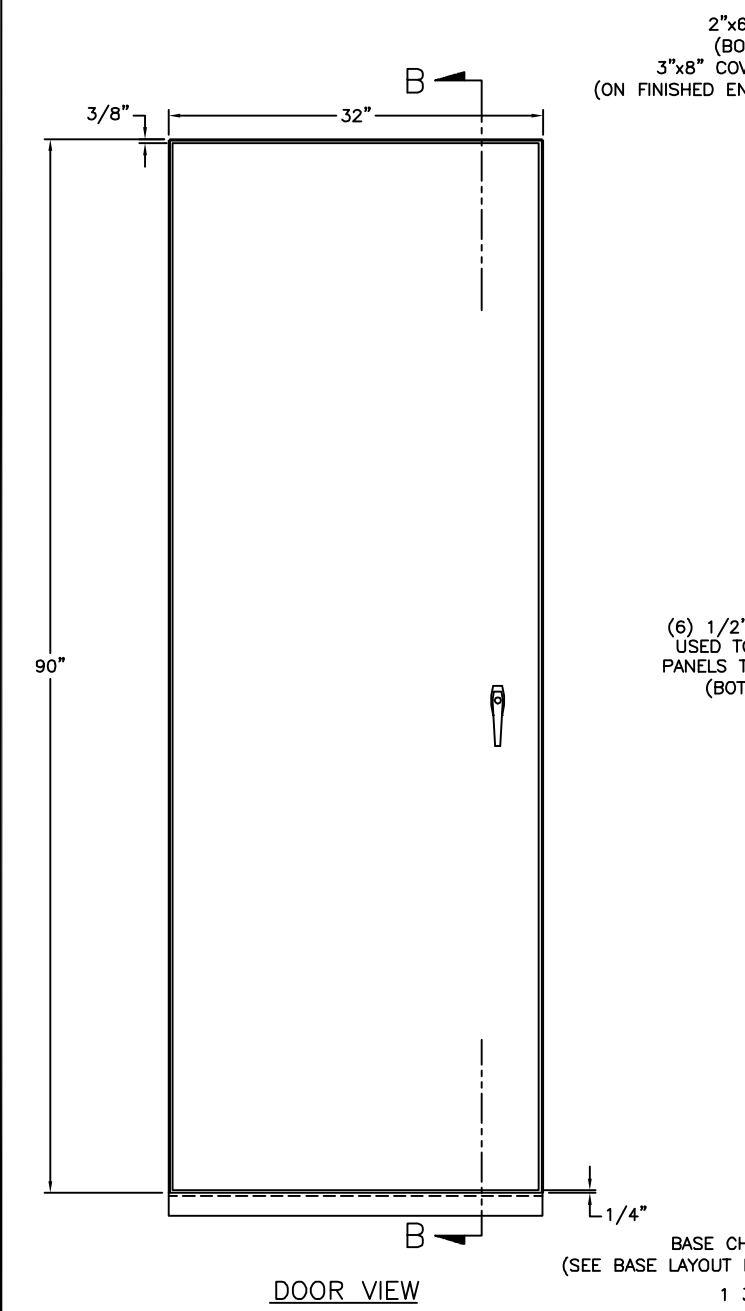


- NOTES:**
- 1) ALL DIMENSIONS ARE IN INCHES.
  - 2) CUBICLE MATERIAL AS LISTED BELOW:
    - A) FIXED PANEL 11 GA.(.120 THICK) CRS SHEET.
    - B) DOOR 11 GA.(.120 THICK) CRS SHEET.
    - C) SIDE SHEETS 12 GA.(.105 THICK) HRS SHEET.
    - D) TOP SHEET 11 GA.(.120 THICK) CRS SHEET.
    - E) WIRE TROUGH 16 GA.(.060 THICK) CRS SHEET.
    - F) WIRE DUCT MOUNTING ANGLES 16 GA.(.060 THICK) CRS SHEET.
    - G) STIFFENERS 1/4x1 3/4x1/4
    - H) BASE CHANNEL 6x8.2#
    - I) GND BUS 1/4x1 COPPER BAR.
    - J) FRAMING ANGLE 1 3/4x1 3/4x1/4
  - 3) TEE HANDLES.
  - 4) ITE-TYPE CONCEALED HINGES.
  - 5) START TERMINAL BOARDS AT LEAST 2 INCHES FROM TOP OF SUB-PANEL.
  - 6) WELD ALL JOINTS UNLESS OTHERWISE STATED.
  - 7) POWDER COAT WITH ANSI 70 EXTERIOR; AND WITH WHITE INTERIOR.



REV	DESCRIPTION	DATE	DFTR	ENG	REV	DESCRIPTION	DATE	DFTR	ENG
3					6				
2					5				
1					4				

ENGINEERED BY:		<b>ELECTRICAL POWER PRODUCTS</b> DES MOINES, IA (515)262-8161 www.ep2.com	EP2 DWG. NO.	REV. NO.
DATE:			S1	0
DRAFTED BY:			SCALE: 1:8	SHT. 1 of 1
DATE:				

PNL	PNL	PNL
01	02	03

LAYOUT

ELECTRICAL POWER PRODUCTS  
 CLOSED CUBICLE 32" X 30"  
 STRUCTURAL DIAGRAM